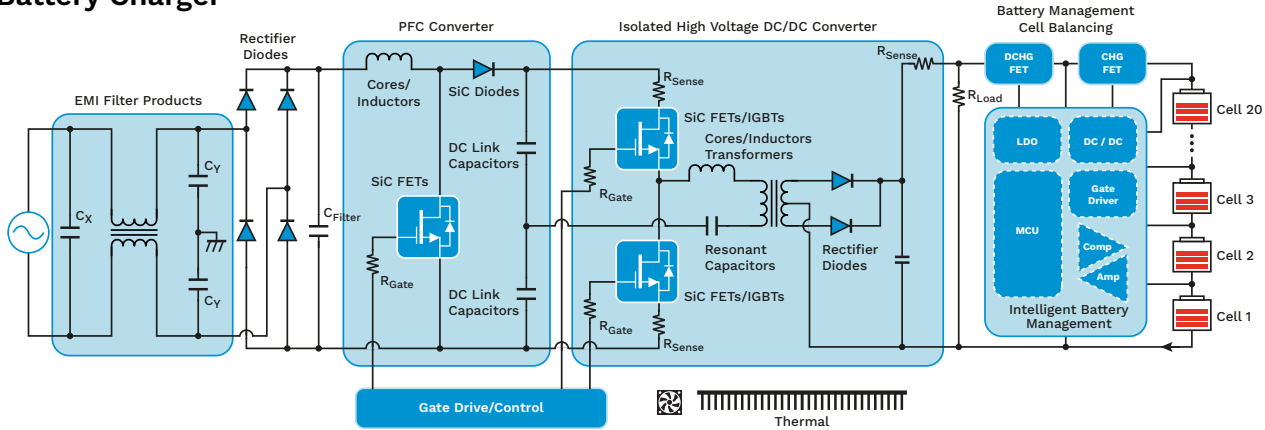
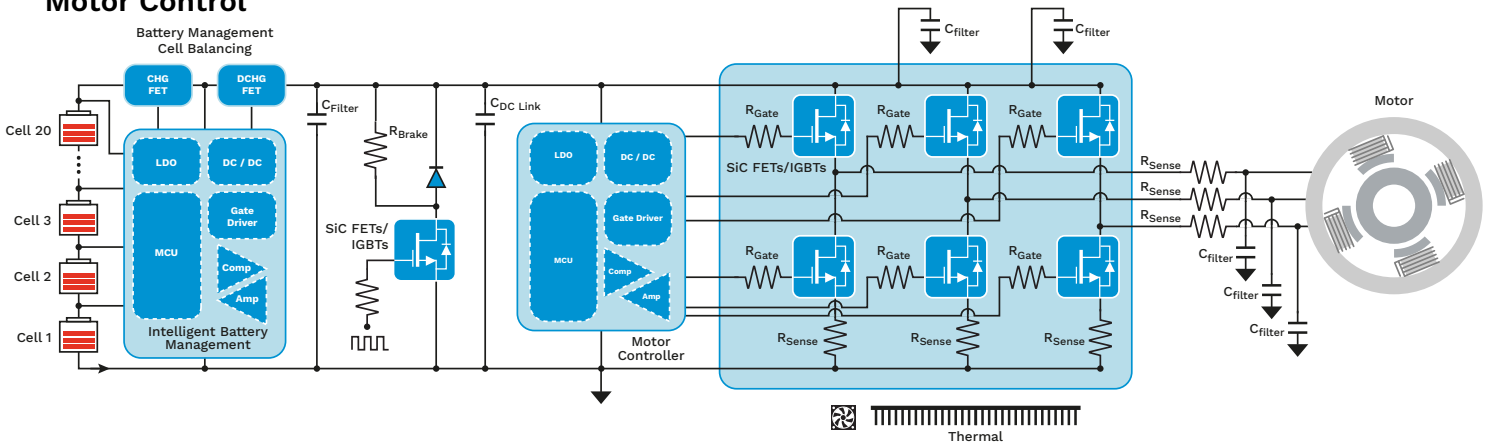


RFMW offers power solutions ranging from a few watts to hundreds of kilowatts for a wide variety of industrial, commercial, military and consumer applications. Advanced products and technologies allow for new levels of efficiency, weight, and density in power conversion and control designs. From highly integrated and flexible modular PMIC's, power application controllers and PoL regulators to advanced wide bandgap technology SiC FETs and MPS diodes, RFMW offers products for your design needs.

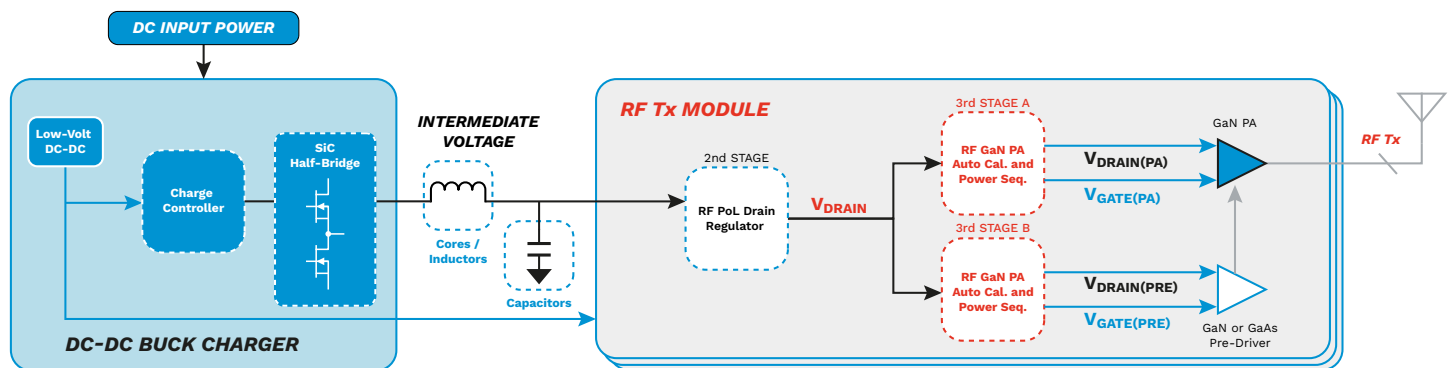
Battery Charger

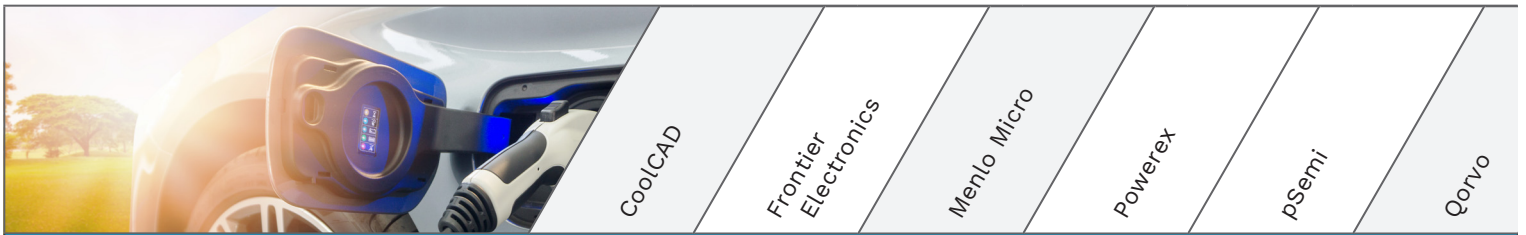


Motor Control



Pulsed Phased Array Radar Power Solution



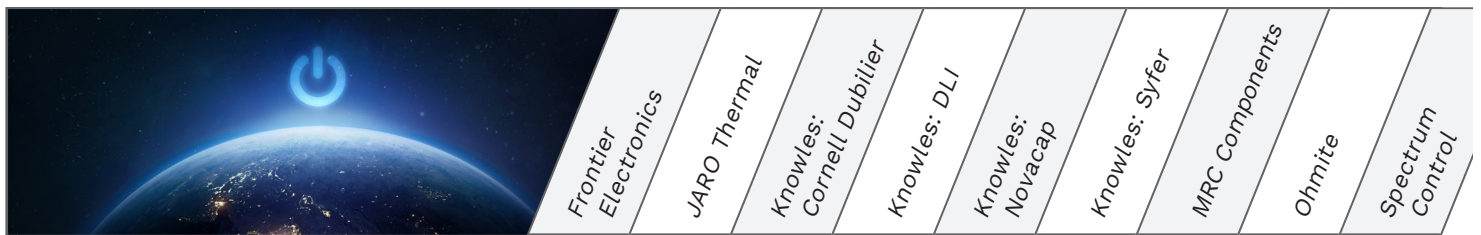


Power Semiconductors

	CoolCAD	Frontier Electronics	Menlo Micro	Powerex	pSemi	Qorvo
ICs						
2-Stage Boost Regulator — LED Driver					•	
2-Stage Buck Regulator					•	
Battery Charger						•
Charge Pump Capacitor Divider					•	
DC-DC Converters						•
Intelligent Battery Monitoring Solutions						•
Intelligent Motor Controllers						•
MEMS High Voltage Driver			•			
Modular PMIC						•
Multi-level Converters					•	
Power Loss Protection						•
Smart Power Relay			•			
Discretes						
Fast Recovery Diodes		•				
High Voltage Diodes		•				
Rectifiers & Thyristors				•		
Schottky Barrier Diodes		•				
SiC Diodes	•	•		•		
SiC FETs	•			•		
SiC JFETs	•					
Super & Ultra Fast Diodes		•				
Trench MOS — Low VF Diodes		•				
TVS Diodes		•				
Modules						
Custom	•			•		
Gate Driver				•		
IGBT				•		
IGBT — High Voltage				•		
Isolated DC-DC				•		
Power Electronic Assemblies				•		
Rectifier & Thyristor				•		
Si/SiC Hybrid				•		
SiC Diode				•		
SiC FET	•			•		

Power Management for RF

RFPoL Drain-Switch Driver/Gate-Bias Reg						•
RFPoL DC-DC Regulator						•



Power Distribution & Protection										
EMI Filter Products										•
AC & DC Power Distribution Units										•

Power Passive and Thermal Management										
Batteries										
Rechargeable — Li-Ion Coin Cell			•							
Capacitors										
Aluminum Electrolytic			•							
Aluminum Polymer			•							
EMI Filter and X2Y			•				•			
Film			•							
High Voltage MLC					•		•			
Mica			•							
MLC, MLC AEC-Q200	•			•			•			
MLC — Stacked/Assemblies							•			
Safety Certified AC	•						•			
Supercapacitors			•						•	
Magnetics										
Coils & Inductors	•									
Common Mode Chokes	•							•		
Magnetic Cores								•		
Multilayer Chip Beads	•									
Power Choke Inductors	•							•		
Transformers	•							•		
Resistor Products										
Ceramic Composition									•	
Current Sense	•									•
Element/Shunt										•
Foil										•
Load Banks & Decade Boxes										•
Rheostats & Potentiometers										•
Thick & Thin Film										•
Wirewound										•
Thermal Management										
AC & DC Fans and Blowers			•							
Custom Solutions			•							•
Heat Pipes			•							
Heatsinks			•							•
IC and CPU Coolers			•							
Liquid Cold Plates			•							•
Thermoelectric Modules			•							

From Introduction to Production, RFMW is Your Source.

RFMW is the premier RF & Microwave, Power Management and specialty distributor. From introduction to production, our team of highly-skilled, experienced, technical experts support your component selection, technical design and fulfillment needs.

RFMW supports full supply chain services including dedicated supply chain management support & logistics, VMI, consignment, partial reels, tape and reel, and additional capabilities.

RFMW STOCKS PRODUCTS IN WORLDWIDE DISTRIBUTION CENTERS FOR FAST DELIVERY



Available
from Stock

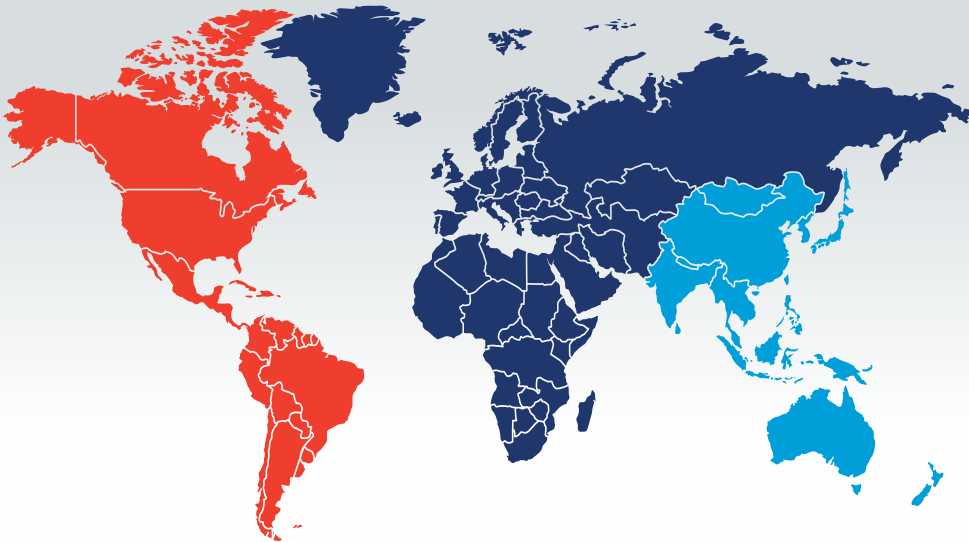


Worldwide
Distribution



Technical
Design

RFMW Worldwide Sales Support



RFMW AMERICAS

sales@rfmw.com

RFMW EUROPE, MIDDLE EAST & AFRICA

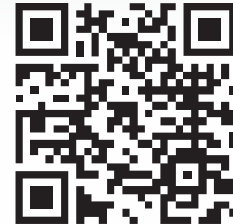
sales@rfmw.co.uk

sales@rfmw.eu

israelw@rfmw.com

RFMW ASIA PACIFIC

sales@rfmw.asia



Visit our Contact Page for
your local office information.



www.RFMW.com



Toll Free: +1-877-367-7369



Sales@RFMW.com



ISO 9001:2015 / AS9120B



Highly Skilled, Experienced, Technical Solutions Team
With World-leading Manufacturers
in RF, Microwave, and Power